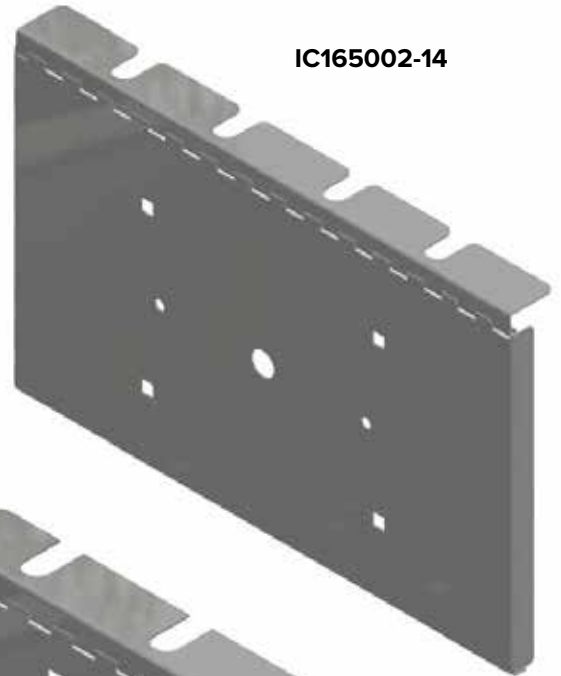


FRONT BUMPER ACCESSORIES

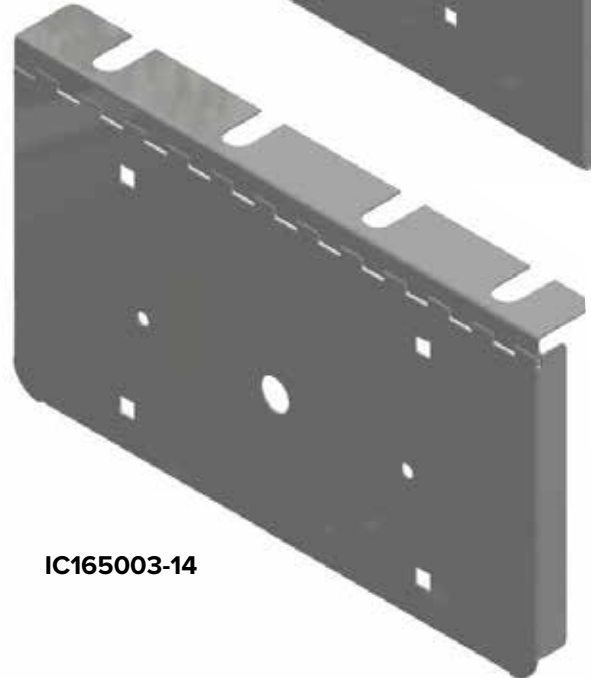
Front bumper accessories are here! Iowa Customs Tow Pin Covers are expertly crafted from 304 Corrosion resistant #8 Finish Stainless Steel and adds another level of customization to your rig. Please refer to our fitment guide for correct fitment.



IC165001-14



IC165002-14



IC165003-14



PRODUCT INFORMATION

Part #	Product	Finish	Fitment
IC165001-14	Tow Pin Cover	#8 304 Polished Stainless Steel	See QR Code
IC165002-14	Extra Small Tow Pin Cover	#8 304 Polished Stainless Steel	See QR Code
IC165003-14	License Plate Tow Pin Cover	#8 304 Polished Stainless Steel	See QR Code