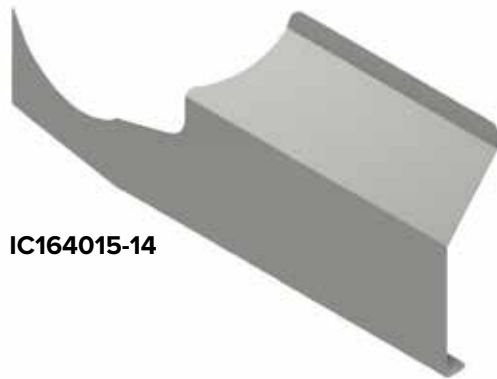


FENDER GUARDS & SHIELDS

Designed specifically for the guarding of your fenders! Expertly crafted from 304 Corrosion Resistant #8 Non-Directional Stainless Steel, these 14GA fender shields will stand up to all the elements. Sold as pairs and hardware is not included! Please refer to the fitment guide to confirm fitment.



PETERBILT
FITMENT
GUIDE



PRODUCT INFORMATION

Fitment: See QR Code

Part #	Product	Information	Side Information	Finish
IC164015-14	Peterbilt 379 Fender Shield	Sold in Pairs	(1) Left, (1) Right	#8 304 Polished Stainless Steel
IC164016-14	Fender Guards for Double JJ Blinker Bar	Sold in Pairs	(1) Left, (1) Right	#8 304 Polished Stainless Steel